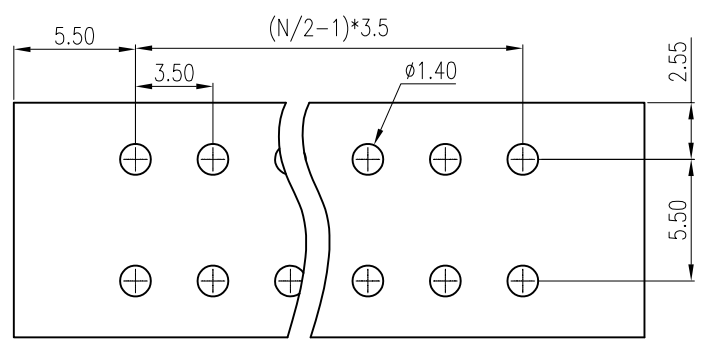
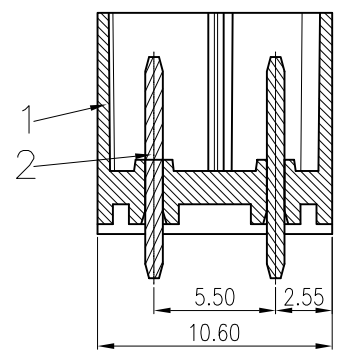
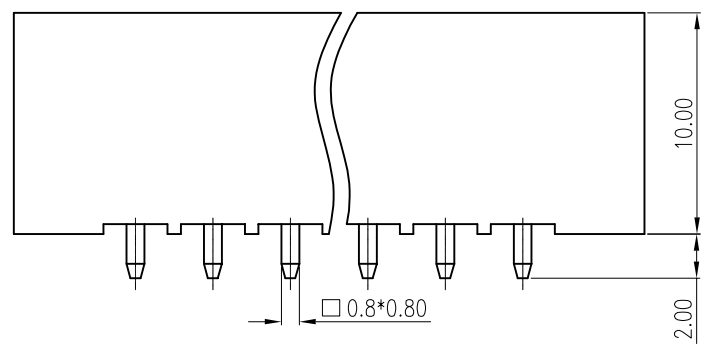
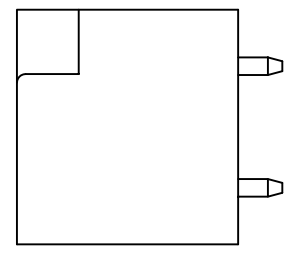
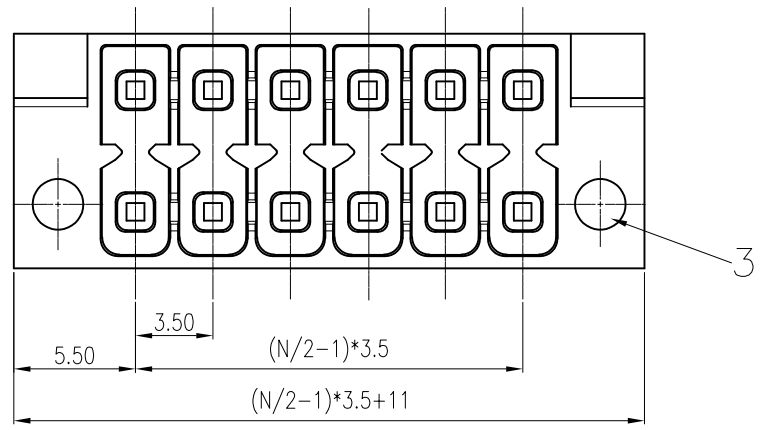


REV	DESCRIPTION	DRW.	DATE
00	初版发行	M.C.N	2022.10.14



PCB LAYOUT

		Nominal dimension Tolerances (mm)						
0	over	over	over	over	over	over	over	
to	18	30	50	80	120	180	250	
18	to	to	to	to	to	to	to	
	30	50	80	120	180	250	320	
	± 0.25	± 0.3	± 0.35	± 0.5	± 0.7	± 1.0	± 1.2	

Notes/备注:

- Electrical properties/电气特性
UL Standard/UL标准

Use Group/应用组别	B	C	D
Rated Voltage/额定电压 (V)	300	50	300
Rated Current/额定电流 (A)	8	8	8
Withstanding voltage/工频耐电压	AC 1600V/1Min		

IEC Standard/IEC标准

Rated Voltage/额定电压 (V): 160
Rated Current/额定电流 (A): 8

Overvoltage Category/过电压类别 /Pollution Degree/污染等级	II/2	III/2	III/3
Voltage/电压 (V)	320	160	160
Rated Impulse Voltage/冲击耐电压 (KV)	2.5	2.5	2.5

- Environmental safety/环境安全

Operating temperature/工作温度范围 (°C): -40~+105
RoHS compliant/符合RoHS环保要求

Part No./料号说明:

F8CVM-THR-3.5-XXP-X

Poles/P数	Color/颜色
04: 4Poles	1: Brown/棕色 6: Blue/蓝色
05: 5Poles	2: Red/红色 7: Purple/紫色
48: 48Poles	3: Orange/橙色 8: Grey/灰色
	4: Yellow/黄色 9: White/白色
	5: Green/绿色 A: Black/黑色

3	NUT 螺母	Copper Alloy	Ni Plated
2	PIN HEADER 焊针	COPPER	Sn Plated
1	HOUSING 主体	LCP	UL94 V-0
ITEM	NAME OF PART	MATERIAL	NOTES

APP.	DATE:	PART NO:
CHK.	DATE:	F8CVM-THR-3.5-XXP-X
DRW. M.C.N	DATE: 2022.10.14	DARWING TYPE: Customer Drawing
PROJECTION		UNITS: mm SCALE: 4:1 SHEET/OF: 1/1
AINEWELL		昆山艾尼维尔电子有限公司 KUN SHAN AINEWELL ELECTRONICS CO.,LTD