

REV	DESCRIPTION	DRW.	DATE
00.1	初版发行	C.W	2022.06.28

Notes/备注:

1. Electrical properties/电气特性
UL Standard/UL标准

Use Group/应用组别	B	C	D
Rated Voltage/额定电压 (V)	300	/	300
Rated Current/额定电流 (A)	15	/	10
Withstanding voltage/工频耐电压	AC 1600V/1Min		

IEC Standard/IEC标准

Rated Voltage/额定电压 (V): 320
Rated Current/额定电流 (A): 24

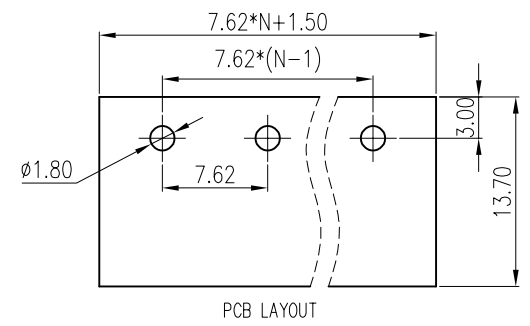
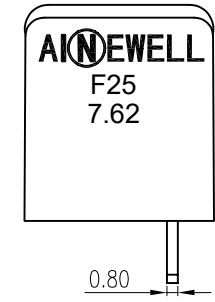
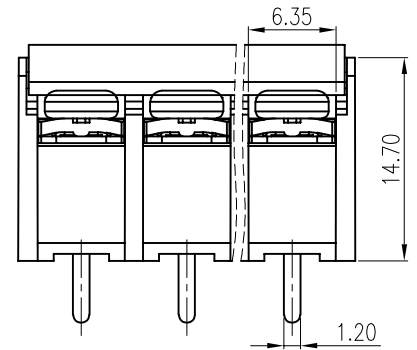
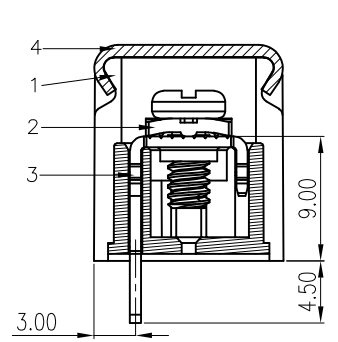
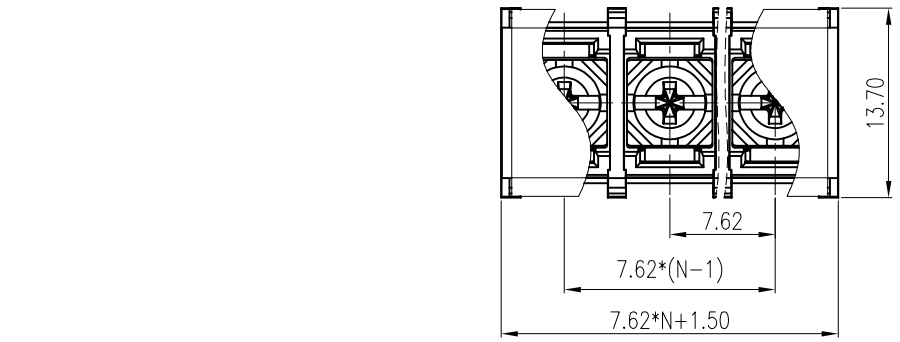
Overvoltage Category/过电压类别 /Pollution Degree/污染等级	II/2	III/2	III/3
Voltage/电压 (V)	400	320	250
Rated Impulse Voltage/冲击耐电压(KV)	4	4	4

2. Connection data/连接数据

Wire range/线径范围(AWG/mm²): 22~14/0.2~2.5
Stripping length/剥线长度(mm): 7~8
Wire tightening torque/导线扭矩(N.m): 0.6~0.8

3. Environmental safety/环境安全

Operating temperature/工作温度范围(°C): -40~+105
RoHS compliant/符合RoHS环保要求



Part No./料号说明:
F-25S-7.62-XXP-C

Poles/P数
02: 2Poles
03: 3Poles
...
16: 16Poles

Nominal dimension Tolerances (mm)							
	over 18	over 30	over 50	over 80	over 120	over 180	over 250
0 to 18	to 30	to 50	to 80	to 120	to 180	to 250	to 320
	±0.25	±0.3	±0.35	±0.5	±0.7	±0.9	±1.0

ITEM	NAME OF PART	MATERIAL	NOTES
3	PIN HEADER 焊针	Copper Alloy	Sn Plated
2	SCREW 螺丝	Steel	M3/Zn Plated
1	HOUSING 主体	PA66	Black/UL94 V-0

APP.	DATE:	PART NO.: F-25S-7.62-XXP-C	
CHK.	DATE:	DARWING TYPE: Customer Drawing	
DRW. C.W	DATE: 2022.06.28	UNITS: mm	SCALE: 2.5:1 SHEET/OF: 1/1
PROJECTION		UNITS: mm SCALE: 2.5:1 SHEET/OF: 1/1	
AINEWELL		昆山艾尼维尔电子有限公司 KUN SHAN AINEWELL ELECTRONICS CO.,LTD	