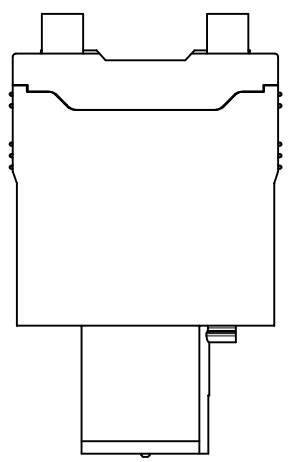
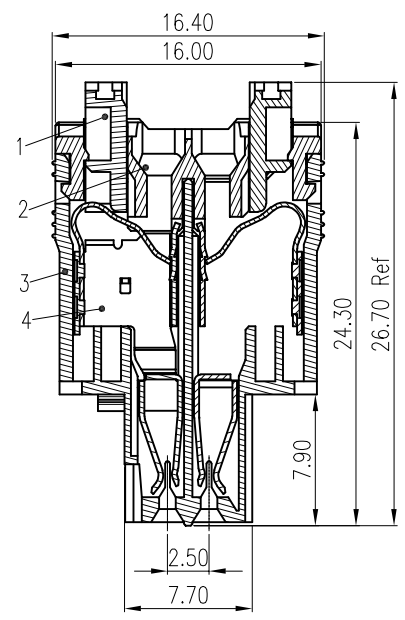
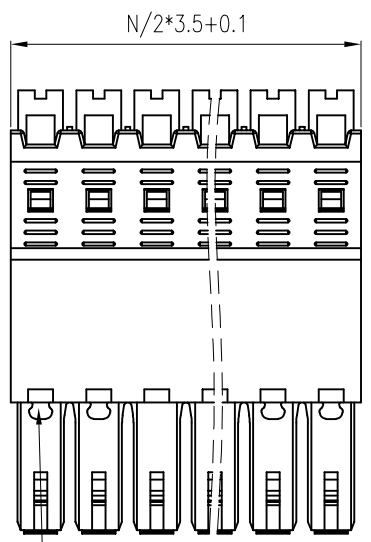
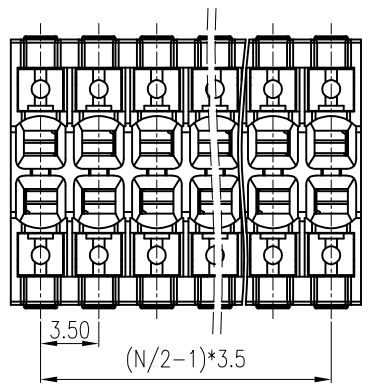


REV	DESCRIPTION	DRW.	DATE
02		C.W	2024.05.06



04P: 2个凸台/2 protruding ribs  
06P: 3个凸台/3 protruding ribs  
08P: 4个凸台/4 protruding ribs  
10P~48P: 左右各2个凸台/2 protruding ribs on both left and right sides

Notes/备注:

1. Electrical properties/电气特性  
UL Standard/UL标准

Use Group/应用组别	B	C	D
Rated Voltage/额定电压 (V)	300	/	300
Rated Current/额定电流 (A)	10	/	10
Withstanding voltage/工频耐电压	AC 1600V/1Min		

IEC Standard/IEC标准

Rated Voltage/额定电压 (V): 320  
Rated Current/额定电流 (A): 10

Overvoltage Category/过电压类别 /Pollution Degree/污染等级	II/2	III/2	III/3
Voltage/电压 (V)	320	160	160
Rated Impulse Voltage/冲击耐电压 (KV)	2.5	2.5	2.5

2. Connection data/连接数据

Wire range/线径范围 (AWG/mm<sup>2</sup>): 26~16/0.14~1.5  
Stripping length/剥线长度 (mm): 8~12

3. Environmental safety/环境安全

Operating temperature/工作温度范围 (°C): -40~+105  
RoHS compliant/符合RoHS环保要求

Part No./料号说明:

F7NH-3.5-XXP-X

Poles/P数	Color/颜色		
04: 4Poles	1: Brown/棕色	6: Blue/蓝色	
06: 6Poles	2: Red/红色	7: Purple/紫色	
...	3: Orange/橙色	8: Grey/灰色	
48: 48Poles	4: Yellow/黄色	9: White/白色	
	5: Green/绿色	A: Black/黑色	

4	CLAMP 夹片	Copper Alloy	Sn Plated
3	HOUSING 主体	PA66	UL94 V-0
2	COVER 盖板	PA66	UL94 V-0
1	BUTTON 按钮	POM	
ITEM	NAME OF PART	MATERIAL	NOTES

Nominal dimension		Tolerances (mm)						
0	over 18	over 30	over 50	over 80	over 120	over 180	over 250	
to 18	to 30	to 50	to 80	to 120	to 180	to 250	to 320	
	±0.25	±0.3	±0.35	±0.5	±0.7	±0.9	±1.0 ±1.2	

APP.	DATE:	PART NO.: <b>F7NH-3.5-XXP-X</b>	
CHK.	DATE:		
DRW. M.C.N	DATE: 2022.06.30	DARWING TYPE: Customer Drawing	
PROJECTION		UNITS: mm	SCALE: 3:1 SHEET/OF: 1/1
<b>AINEWELL</b>		昆山艾尼维尔电子有限公司 KUN SHAN AINEWELL ELECTRONICS CO.,LTD	