

REV	DESCRIPTION	DRW.	DATE
00.1	初版发行	C.W	2022.09.28
00.2	按钮设变	M.C.N	2023.06.07

Notes/备注:

1. Electrical properties/电气特性  
UL Standard/UL标准

Use Group/应用组别	B	C	D
Rated Voltage/额定电压 (V)	300	50	300
Rated Current/额定电流 (A)	5	5	5
Withstanding voltage/工频耐电压	AC 1600V/1Min		

IEC Standard/IEC标准

Rated Voltage/额定电压 (V): 320  
Rated Current/额定电流 (A): 10

Overvoltage Category/过电压类别 /Pollution Degree/污染等级	III/2	III/2	III/3
Voltage/电压 (V)	630	320	320
Rated Impulse Voltage/冲击耐电压 (KV)	4	4	4

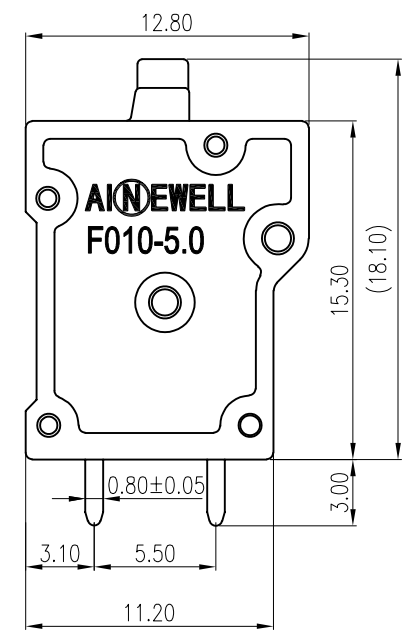
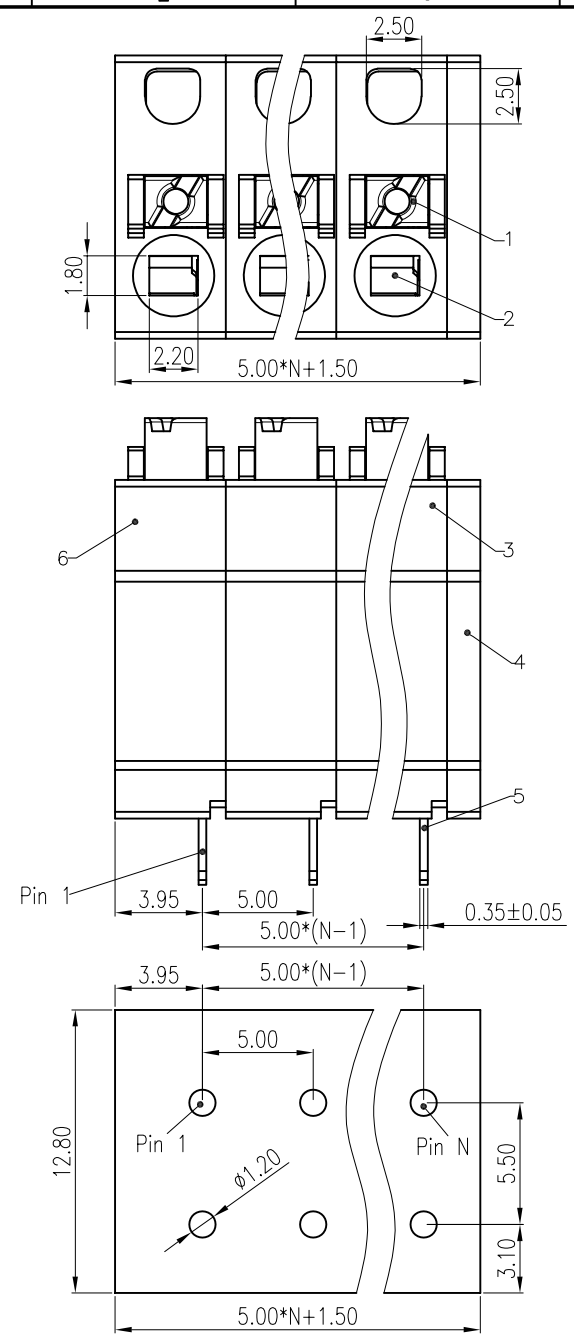
2. Connection data/连接数据

Wire range/线径范围 (AWG/mm<sup>2</sup>): 28~16/0.2~1.5  
Stripping length/剥线长度 (mm): 8~12  
Ferrule without insulation/管状裸端头 (mm<sup>2</sup>): 0.25~1.0  
Ferrule with insulation/管状端头带绝缘套 (mm<sup>2</sup>): 0.25~1.0

3. Environmental safety/环境安全

Operating temperature/工作温度范围 (°C): -40~+120  
RoHS compliant/符合RoHS环保要求

6	HOUSING 主体2	PA66	UL94 V-0
5	PIN HEADER 焊针	Copper Alloy	Sn Plated
4	COVER 盖板	PA66	UL94 V-0
3	HOUSING 主体1	PA66	UL94 V-0
2	SPRING 弹片	Steel	/
1	BUTTON 按钮	POM	Orange
ITEM	NAME OF PART	MATERIAL	NOTES



Part No./料号说明:  
F010-5.0-XXP-X

- Color/颜色
- 1: Brown/棕色
  - 2: Red/红色
  - 3: Orange/橙色
  - 4: Yellow/黄色
  - 5: Green/绿色
  - 6: Blue/蓝色
  - 7: Purple/紫色
  - 8: Grey/灰色
  - 9: White/白色
  - A: Black/黑色

Nominal dimension Tolerances (mm)							
0	over 18	over 30	over 50	over 80	over 120	over 180	over 250
to 18	to 30	to 50	to 80	to 120	to 180	to 250	to 320
±0.25	±0.3	±0.35	±0.5	±0.7	±0.9	±1.0	±1.2

PCB Layout

APP.	DATE:	PART NO.: F010-5.0-XXP-X		
CHK.	DATE:			
DRW. C.W	DATE: 2022.09.28	DARWING TYPE: Customer Drawing		
PROJECTION		UNITS: mm	SCALE: 4:1	SHEET/OF: 1/1
<b>AINEWELL</b>		昆山艾尼维尔电子有限公司 KUN SHAN AINEWELL ELECTRONICS CO.,LTD		