

REV	DESCRIPTION	DRW.	DATE
00.1	初版发行	C.W	2022.09.28
00.2	按钮设变	M.C.N	2023.06.07

Notes/备注:

1. Electrical properties/电气特性
UL Standard/UL标准

Use Group/应用组别	B	C	D
Rated Voltage/额定电压 (V)	300	50	300
Rated Current/额定电流 (A)	5	5	5
Withstanding voltage/工频耐电压	AC 1600V/1Min		

IEC Standard/IEC标准

Rated Voltage/额定电压 (V): 160
Rated Current/额定电流 (A): 10

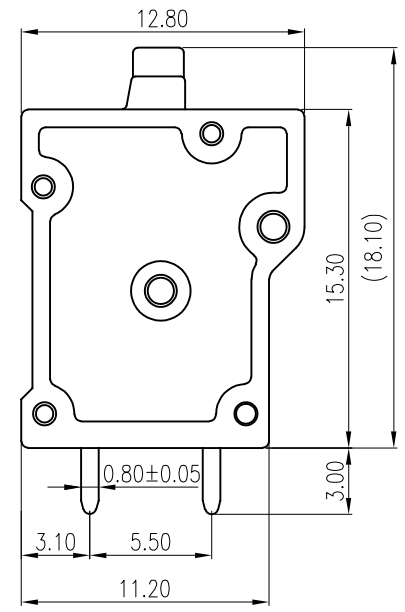
Overvoltage Category/过电压类别 /Pollution Degree/污染等级	II/2	III/2	III/3
Voltage/电压 (V)	320	160	160
Rated Impulse Voltage/冲击耐电压 (kV)	2.5	2.5	2.5

2. Connection data/连接数据

Wire range/线径范围 (AWG/mm²): 28~16/0.2~1.5
Stripping length/剥线长度 (mm): 8~12
Ferrule without insulation/管状裸端头 (mm²): 0.25~1.0
Ferrule with insulation/管状端头带绝缘套 (mm²): 0.25~1.0

3. Environmental safety/环境安全

Operating temperature/工作温度范围 (°C): -40~+120
RoHS compliant/符合RoHS环保要求

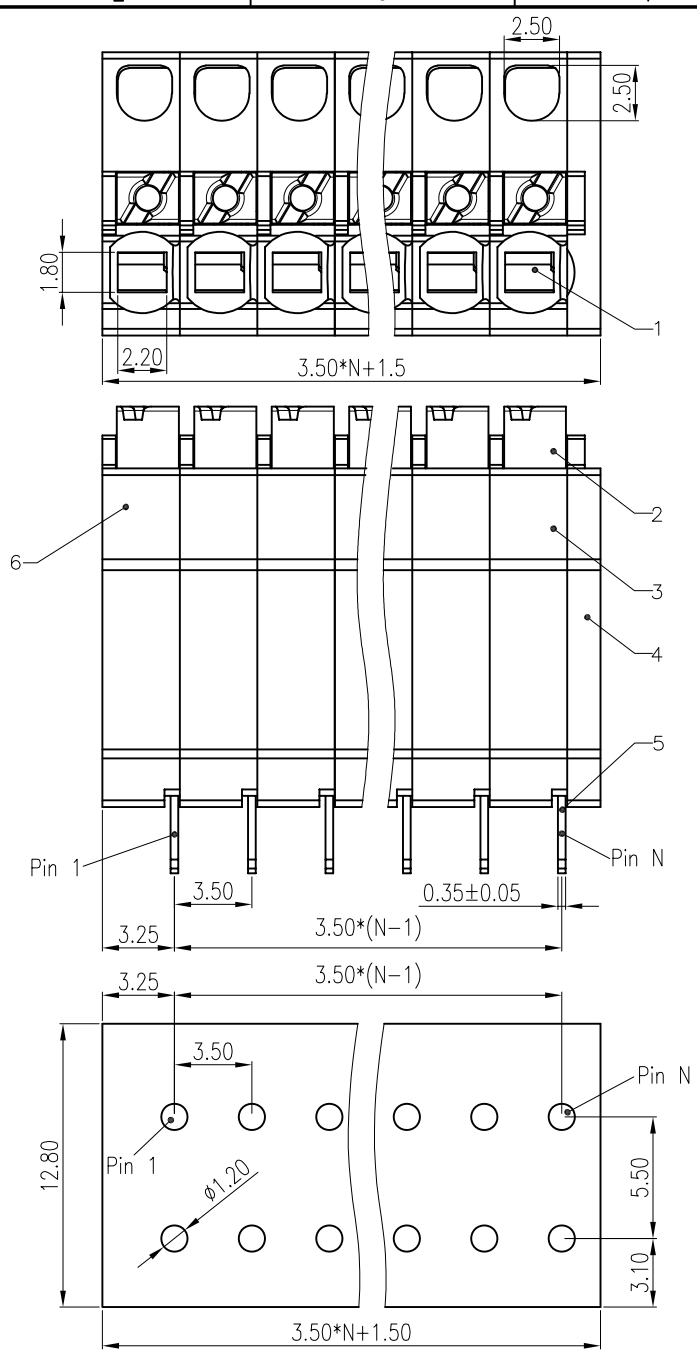


Part No./料号说明:

F010-3.5-XXP-X

Color/颜色

- 1: Brown/棕色
- 2: Red/红色
- 3: Orange/橙色
- 4: Yellow/黄色
- 5: Green/绿色
- 6: Blue/蓝色
- 7: Purple/紫色
- 8: Grey/灰色
- 9: White/白色
- A: Black/黑色



PCB Layout

Nominal dimension Tolerances (mm)

	over 0 to 18	over 18 to 30	over 30 to 50	over 50 to 80	over 80 to 120	over 120 to 180	over 180 to 250	over 250 to 320
	±0.25	±0.3	±0.35	±0.5	±0.7	±0.9	±1.0	±1.2

ITEM	NAME OF PART	MATERIAL	NOTES
6	HOUSING 主体1	PA66	UL94 V-0
5	PIN HEADER 焊针	Copper Alloy	Sn Plated
4	COVER 盖板	PA66	UL94 V-0
3	HOUSING 主体2	PA66	UL94 V-0
2	BUTTON 按钮	POM	Orange
1	SPRING 弹片	Steel	/

APP.	DATE:	PART NO.: F010-3.5-XXP-X
CHK.	DATE:	
DRW. C.W	DATE: 2022.09.28	DARWING TYPE: Customer Drawing
PROJECTION		UNITS: mm SCALE: 4:1 SHEET/OF: 1/1



昆山艾尼维尔电子有限公司
KUN SHAN AINEWELL ELECTRONICS CO.,LTD